

Roller-MultiLink

Multilinked Roller Blind

The Ambience Roller-Multilinked system, using the Acmeda S60 system, is designed to allow for multiple blinds to be controlled using a single motor or chain control operation. Suitable for large roller blinds it provides a solution to linking blinds within

the Acmeda Uni System range.

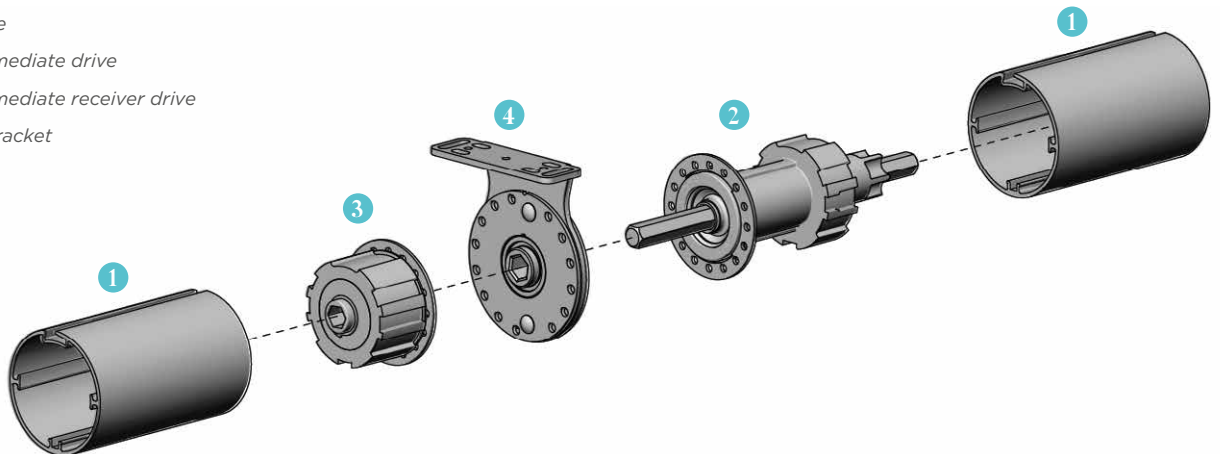
Maximum width requirements can be achieved with minimal gap disturbances.



Technical

- Minimal light gaps
- A 25mm light gap between each Roller-Multilinked Intermediate Bracket
- Bay windows with corner details can be accommodated using the Uni-Link S60
- Reduces the number of controls needed to operate the blinds
- 5 year Component Warranty

- 1 Aluminium tube
- 2 MultiLink intermediate drive
- 3 MultiLink intermediate receiver drive
- 4 Intermediate bracket



AMBIENCE

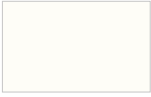
BLINDS • SHUTTERS • AWNINGS

www.ambienceblinds.com.au

Roller-MultiLink

Multilinked Roller Blind

Bracket Colour Range

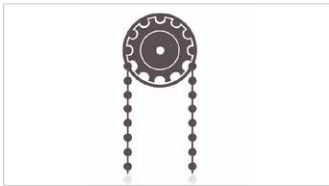


Pure White
069



Black
050

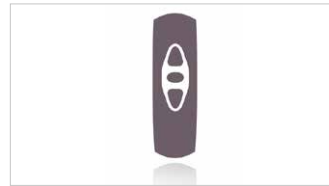
Control Options



Chain Control S60



Crank Gear S60 complete with
Crank Arm Fixing Support

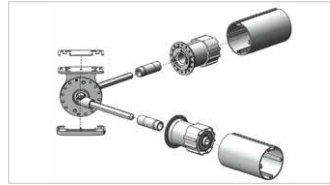


Motorised S60

Additional Options



Combo Bracket S60
167mm x 121mm projection



Uni-Link S60



AMBIENCE

BLINDS • SHUTTERS • AWNINGS