

# Roller-EasyLink

## Easy Link Roller Blind

The Ambience Roller-EasyLink system was designed to allow for multiple blinds to be controlled using a single motor or chain control operation. Achieving minimal gaps between each blind,

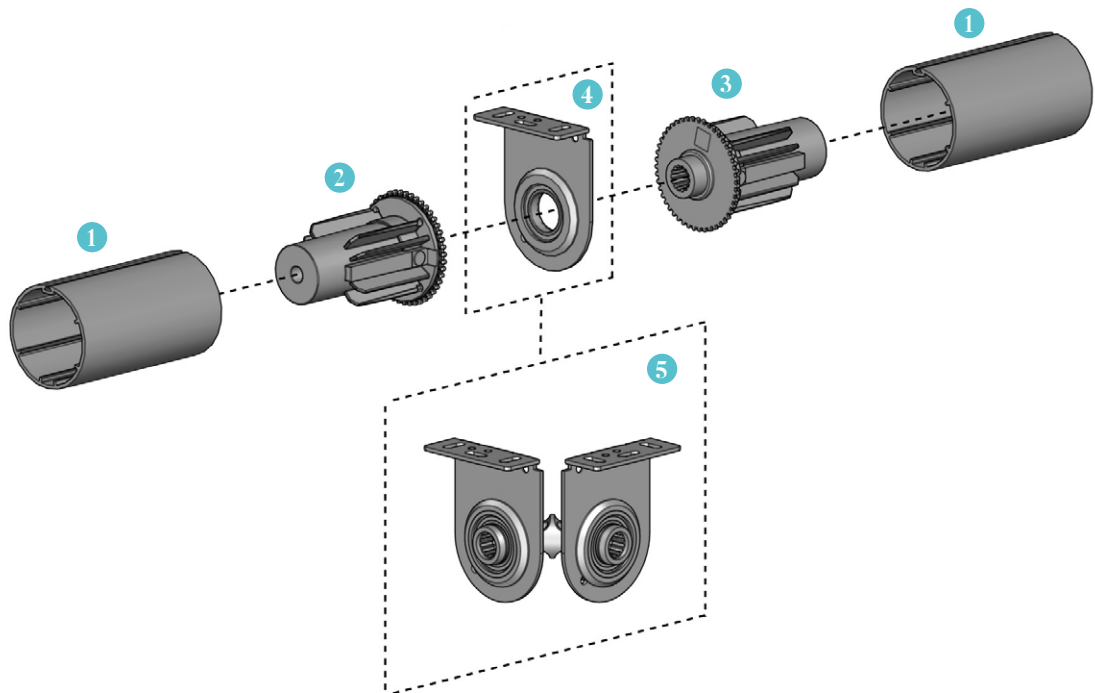
the Roller-EasyLink system provides the perfect addition when linking blinds.



### Technical

- Minimal light gaps
- Minimal 17mm light gap between each Roller-Easy Linked Bearing Bracket
- Bay windows with corner details can be accommodated using the Uni-Joiner **5**
- Reduces the number of controls needed to operate the blinds
- Up to 3 blinds can be linked; dependent on fabrics weight, thickness and control system used to operate the blinds, to a max. of 9m in width x 3m in drop
- 5 year Component Warranty

- 1** Aluminium tube
- 2** EasyLink male drive
- 3** EasyLink female drive
- 4** Bearing brackets
- 5** Uni-Joiner bracket



**AMBIENCE**

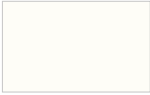
BLINDS • SHUTTERS • AWNINGS

[www.ambienceblinds.com.au](http://www.ambienceblinds.com.au)

# Roller-EasyLink

## Easy Link Roller Blind

### Bracket Colour Range



Pure White  
069



Sandstone  
269



Barley  
283



Silver Grey  
338

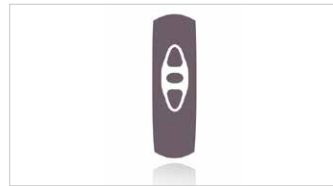


Black  
050

### Control Options

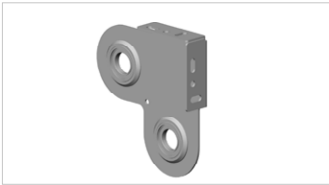


Crank Gear S45 complete with  
Crank Arm Fixing Support



Motorised S45

### Additional Options



#### Combo Square Bracket

Combining a light filtering  
blind with a blackout fabric.  
L/H & R/H control:  
100mm x 115mm projection  
Same side control:  
100mm x 122mm projection



#### Combo Slim Bracket

Combining a light filtering  
blind with a blackout fabric.  
148mm high x 85mm  
projection



**AMBIENCE**

BLINDS • SHUTTERS • AWNINGS